

## GAZELLE WELDING SCREEN 200 CM



### COMPOSITION

- For steel basic welding screen:
- Carbon steel tubes, zinc plated.
- Contain no toxic parts.
- Contain no inflammable parts.
- Contain no electrical parts.

### USE AND HANDLING

Zinc plating surface and curtain will be damaged by open fire or intensive heat. There is a possibility that the screen is not stable by rough, unequal floor conditions. Oil or grease pollution do not have negative effects on the screens condition.

### MAINTENANCE AND SAFETY

- Bolts must be periodic checked at free assembly.
- Beams are only applicable for use of curtains, not for heavy weight products which overload the tubes.
- It is not recommended for hoisting operations.

### FEATURES

Made from longitudinal welded carbon steel tubes. Screen is free moveable in any direction by hand.

Screen will be supplied in loose parts, packed in a solid box, and must be fixed with included metric fasteners by basic tools.

### DESIGN

Distance between floor level and upper beam is 197 cms, total width 200 cms. To obtain a stable construction, both foot profiles do have a length of 60 cms.

## GAZELLE WELDING SCREEN 200 CM



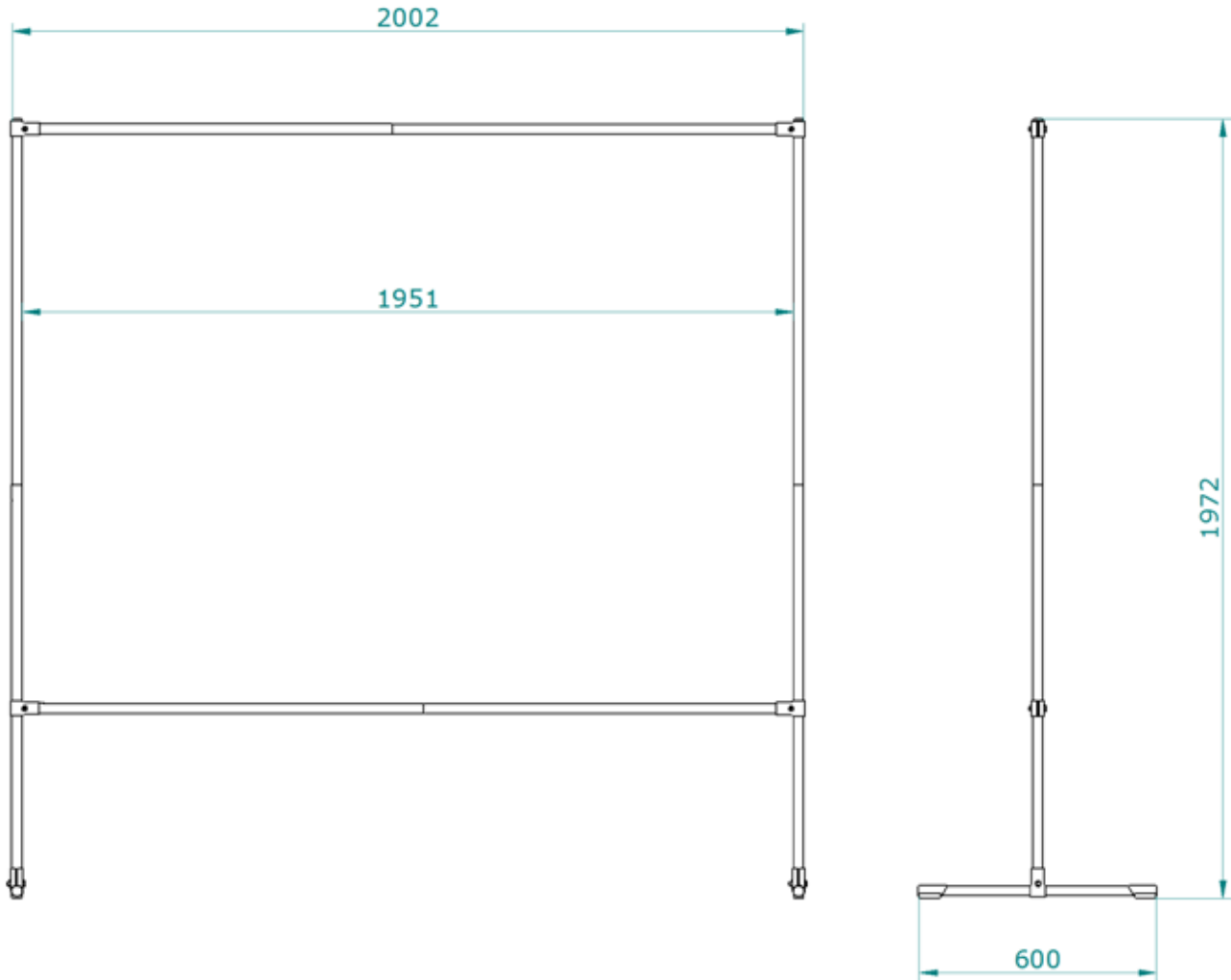
### TECHNICAL SPECIFICATION

Type of welding screen	: light weight screen
Total weight, basic screen	: 8,5 kgs.
Maximum static load beam	: 60 N
Maximum dynamic peak load beam	: 100 N
Range	: free moveable in any directions
Overall size height	: 1972 mm
Functional width	: 2002 mm
Fasteners	: Metric
Castor	: not included
Operation	: by hand
Finishing	: zinc plated
Materials	: steel tube
Application	: for internal use

## GAZELLE WELDING SCREEN 200 CM



### DIMENSIONS GAZELLE SCREEN 200 CM



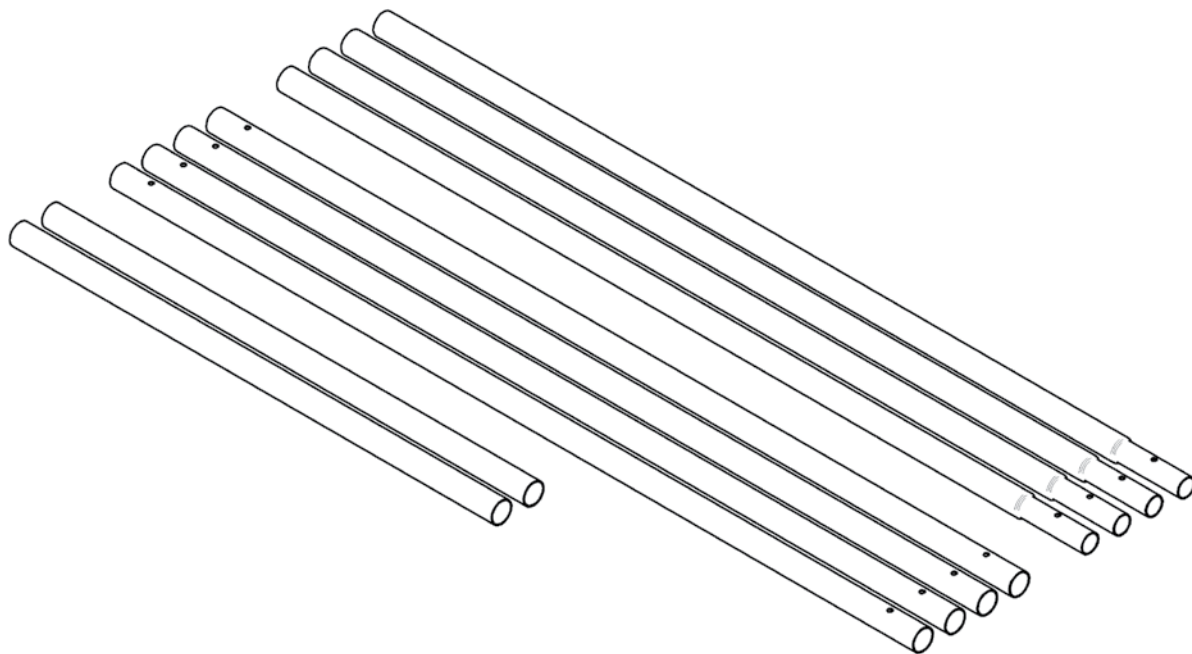
Version 001 - Check our website for the latest version.

CEPRO\_PFS\_Welding screens\_Gazelle\_200cm\_2EN

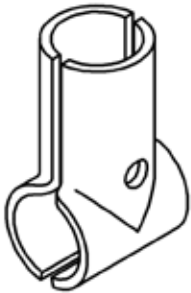

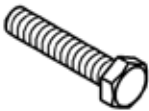

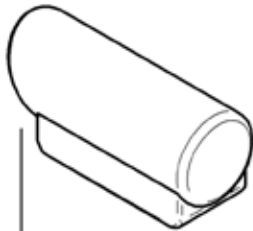
**GAZELLE WELDING SCREEN 200 CM**



**PART LIST - BASIC PARTS GAZELLE WELDING SCREEN 200 CM**



**PART LIST ACCESSOIRES GAZELLE WELDING SCREEN 200 CM**

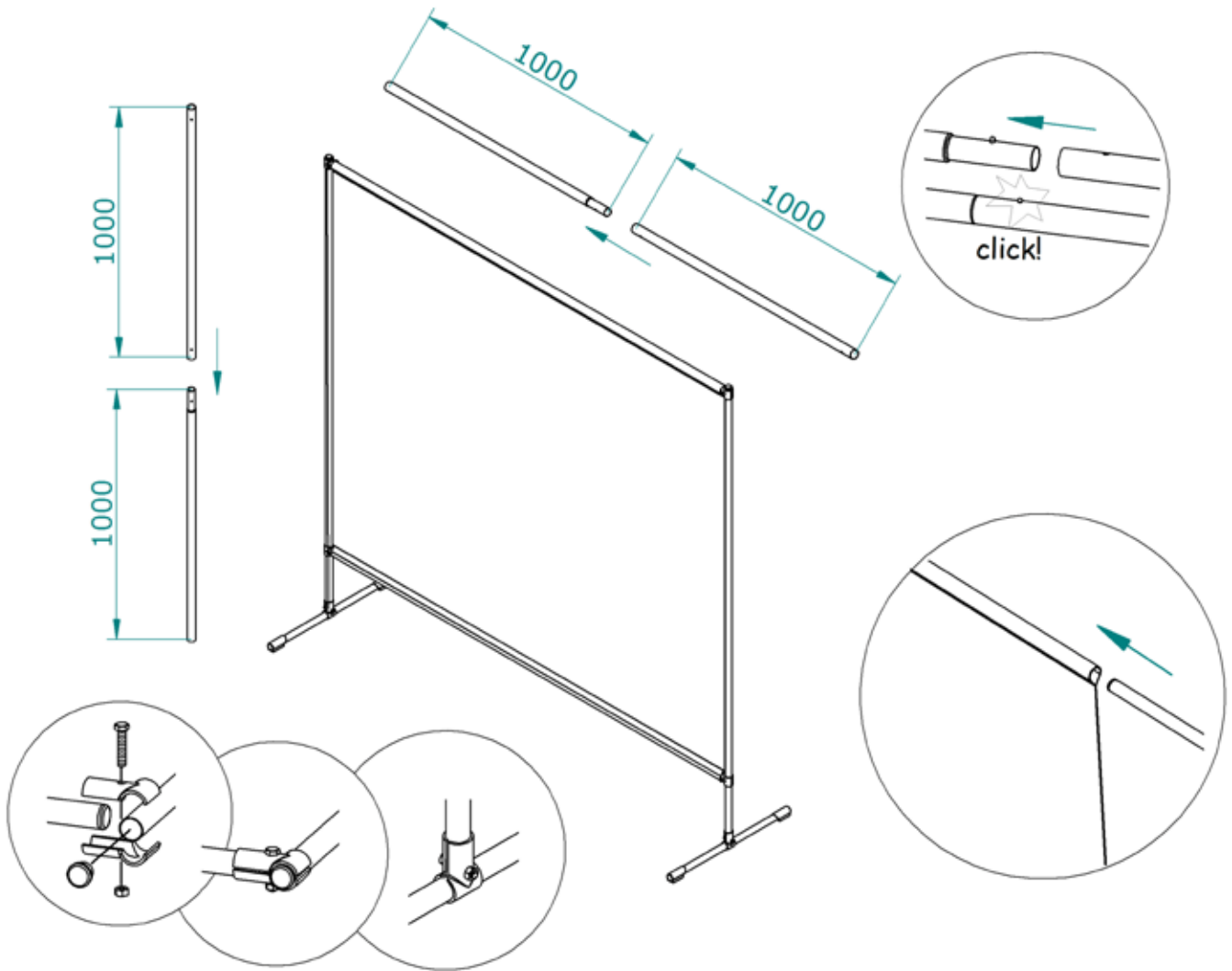
	M8	M8x40	Ø25	Ø25
				
6x	6x	6x	8x	4x

Version 001 - Check our website for the latest version.  
CEPRO\_PFS\_Welding screens\_Gazelle\_200cm\_2EN

## GAZELLE WELDING SCREEN 200 CM



### MOUNTING INSTRUCTION GAZELLE WELDING SCREEN 200 CM



Version 001 - Check our website for the latest version.

CEPRO\_PFS\_Welding screens\_Gazelle\_200cm\_2EN