

OMNIUM WELDING SCREEN



COMPOSITION

- For steel basic welding screen:
- Carbon steel tubes, profiles, powder coated.
- Contain no toxic parts.
- Contain no inflammable parts.
- Contain no electrical parts.

USE AND HANDLING

Coating and tread surface castors will be damaged by open fire or intensive heat. There is a possibility that the screen will stuck by rough, unequal floor conditions. Oil or grease pollution do not have negative effects on the screens condition.

MAINTENANCE AND SAFETY

- Bolts must be periodic checked at free assembly.
- Castors must be checked on contamination to avoid malfunction.
- It is not safe to step on the screen for mobile purposes.
- Beams are only applicable for use of pvc strips, curtains, sheets or blankets, not for heavy weight products which overload the profile and castors.
- It is not recommended for hoisting operations.
- Swivel arm is only suitable for use of strip or curtain separation It is not recommended for hoisting operations.

FEATURES

Made from solid welded carbon steel tube and profiles. Screen is free moveable in any direction, castors can be turned for 360°. To apply the brake option on two castors, screen can be fixed at one position.

Poles can be provided with a hinge part on top at both sides to apply a swivel arm, to extent the separation at one or both sides.

Screen will be supplied in loose parts and must be fixed with included metric fasteners by basic tools.

DESIGN

Distance between floor level and upper beam is 200 cms, total width 213 cms. To obtain a stable construction, both foot profiles do have a length of 60 cms.

OMNIUM WELDING SCREEN



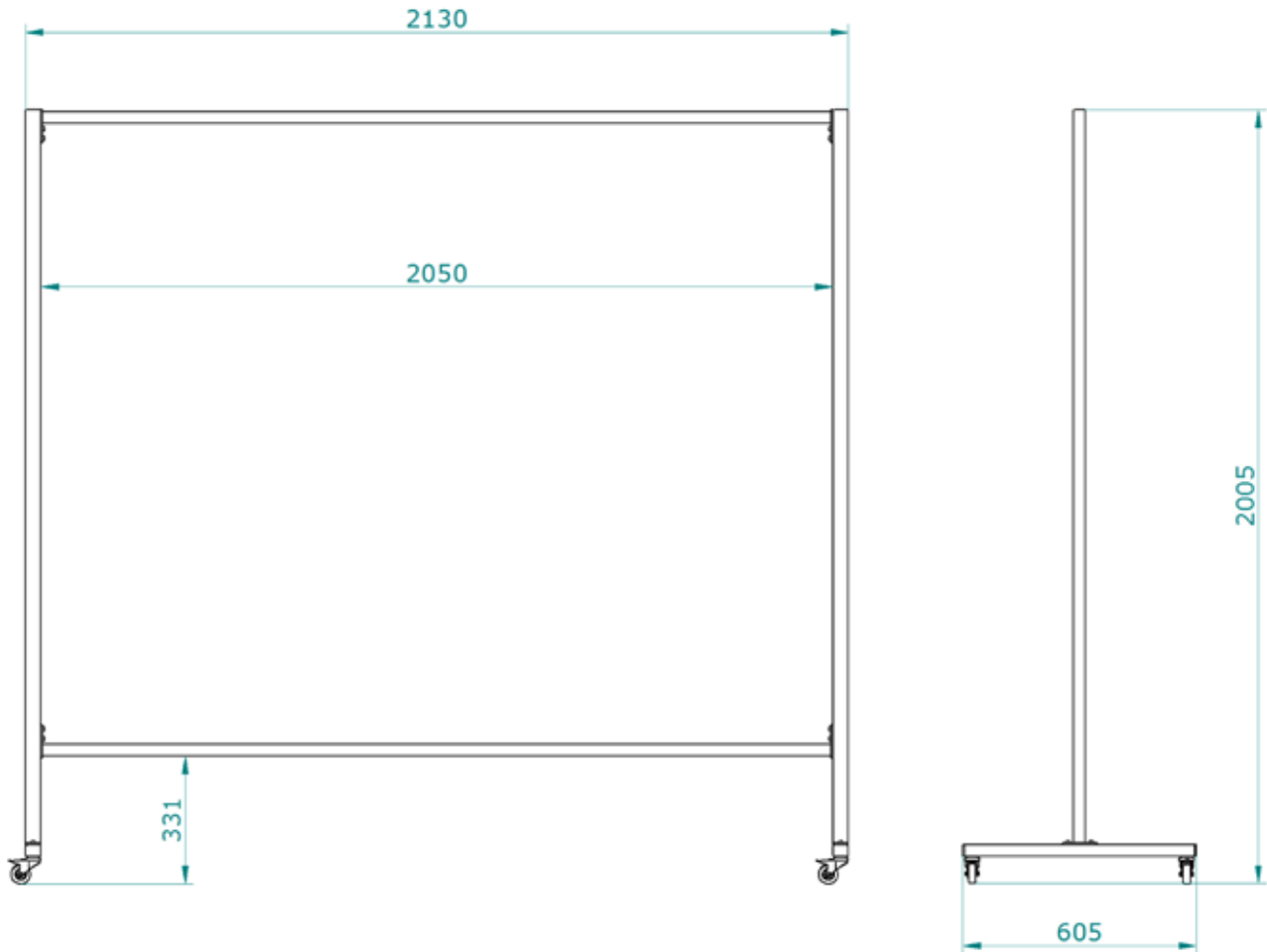
TECHNICAL SPECIFICATION

Type of welding screen	: solid, mobile screen
Total weight, basic screen	: 19 kgs.
Maximum static load beam	: 400 N
Maximum dynamic peak load beam	: 600 N
Range	: free moveable, 360°
Overall size height	: 2005 mm
Functional width	: 2130 mm
Fasteners	: Metric
Castor	: Ø50 mm
Castor	: 2 with break, 2 without brake
Castor	: maximum load 40 kgs
Castor	: Range 360°
Operation	: by hand
Coating	: powder coated in grey RAL7035
Materials	: steel tube and profiles
Application	: for internal use

OMNIUM WELDING SCREEN



DIMENSIONS OMNIUM SINGLE SCREEN



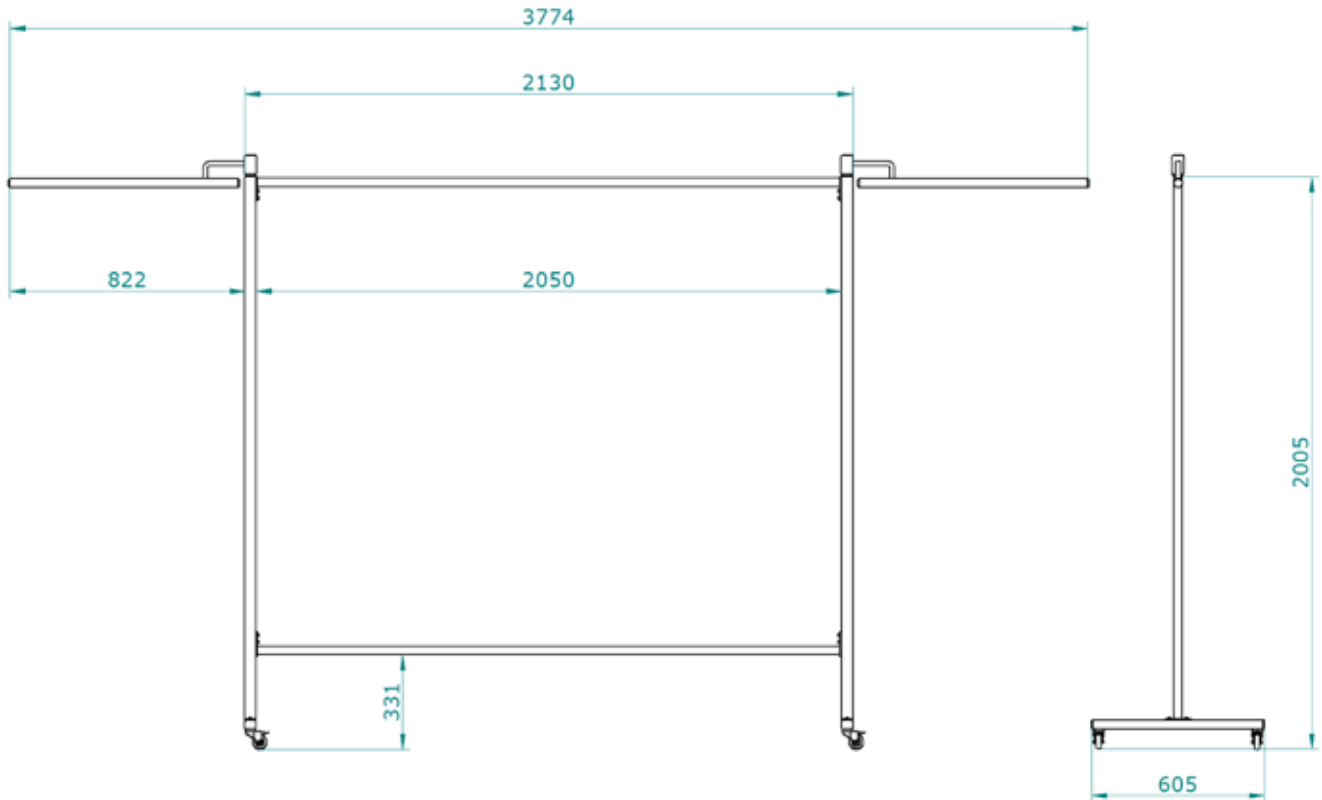
Version 001 - Check our website for the latest version.

CEPRO_PFS_Welding screens_Omnium_2EN

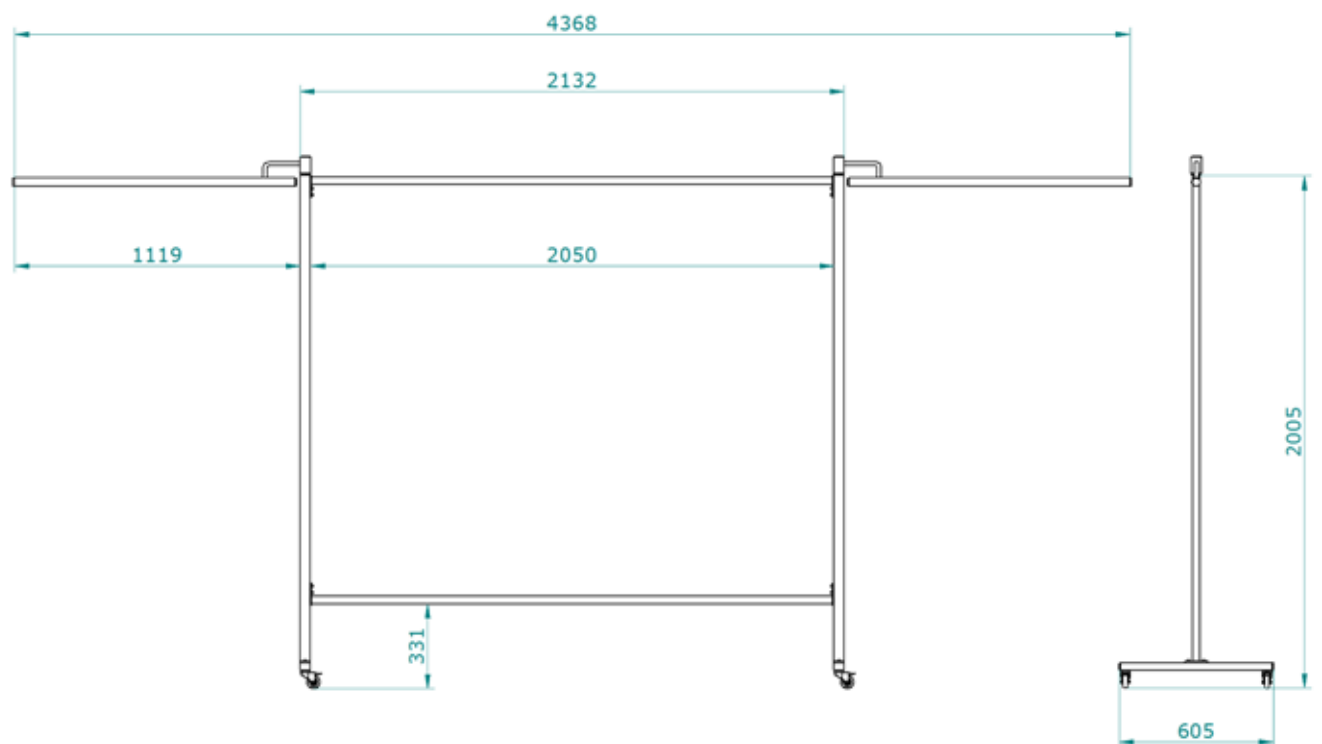
OMNIUM WELDING SCREEN



DIMENSIONS OMNIUM TRIPTYCH SCREEN SWIVEL ARMS 80 CM



DIMENSIONS OMNIUM TRIPTYCH SCREEN SWIVEL ARMS 110 CM



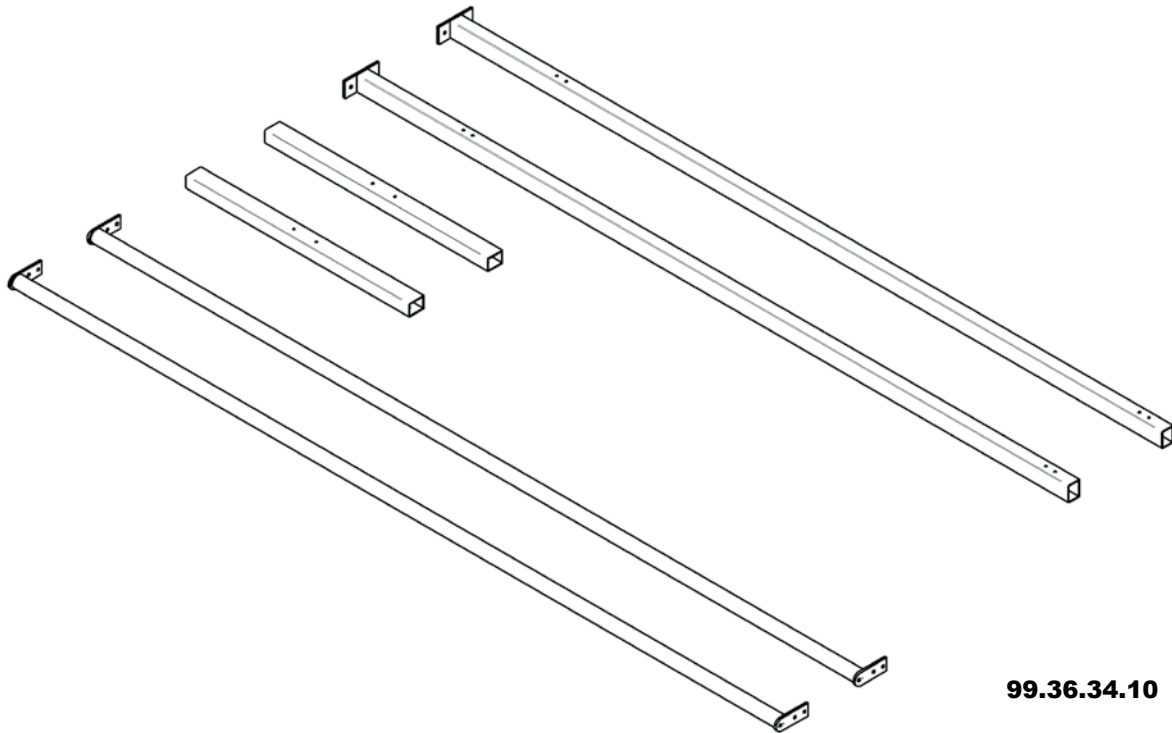
Version 001 - Check our website for the latest version.

CEPRO_PFS_Welding screens_Omnum_2EN

OMNIUM WELDING SCREEN

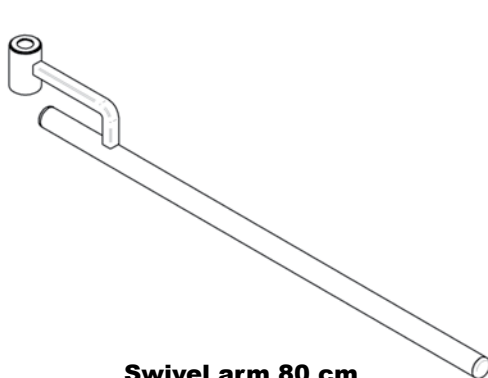


PART LIST - BASIC PARTS OMNIUM WELDING SCREEN

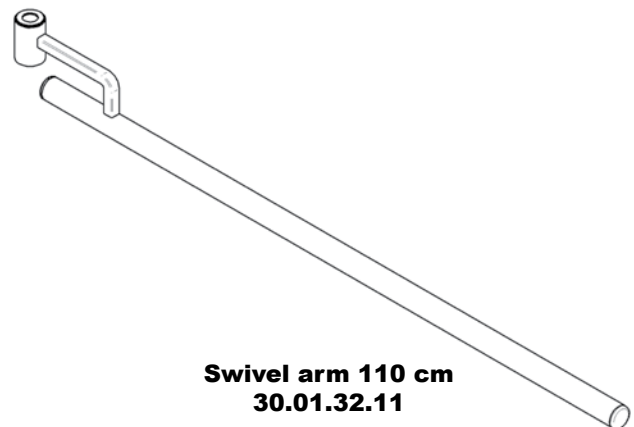


99.36.34.10

PART LIST - SWIVEL ARMS OMNIUM WELDING SCREEN



Swivel arm 80 cm
30.01.34.08



Swivel arm 110 cm
30.01.32.11



Hinge for swivel arm
80.10.08


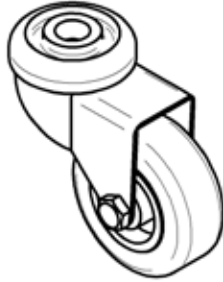
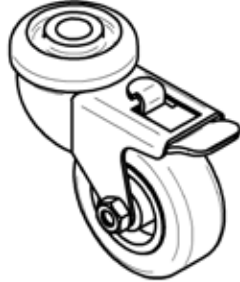
Version 001 - Check our website for the latest version.

CEPRO_PFS_Welding screens_Omnium_2EN

OMNIUM WELDING SCREEN







PART LIST ACCESSOIRES OMNIUM WELDING SCREEN

40x30	Ø 50	Ø 50
		
6 x	2 x	2 x

Cap end PVC

Castor without break
30.04.34.00

Castor with break
30.04.34.01

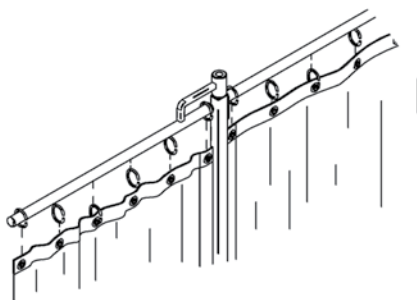
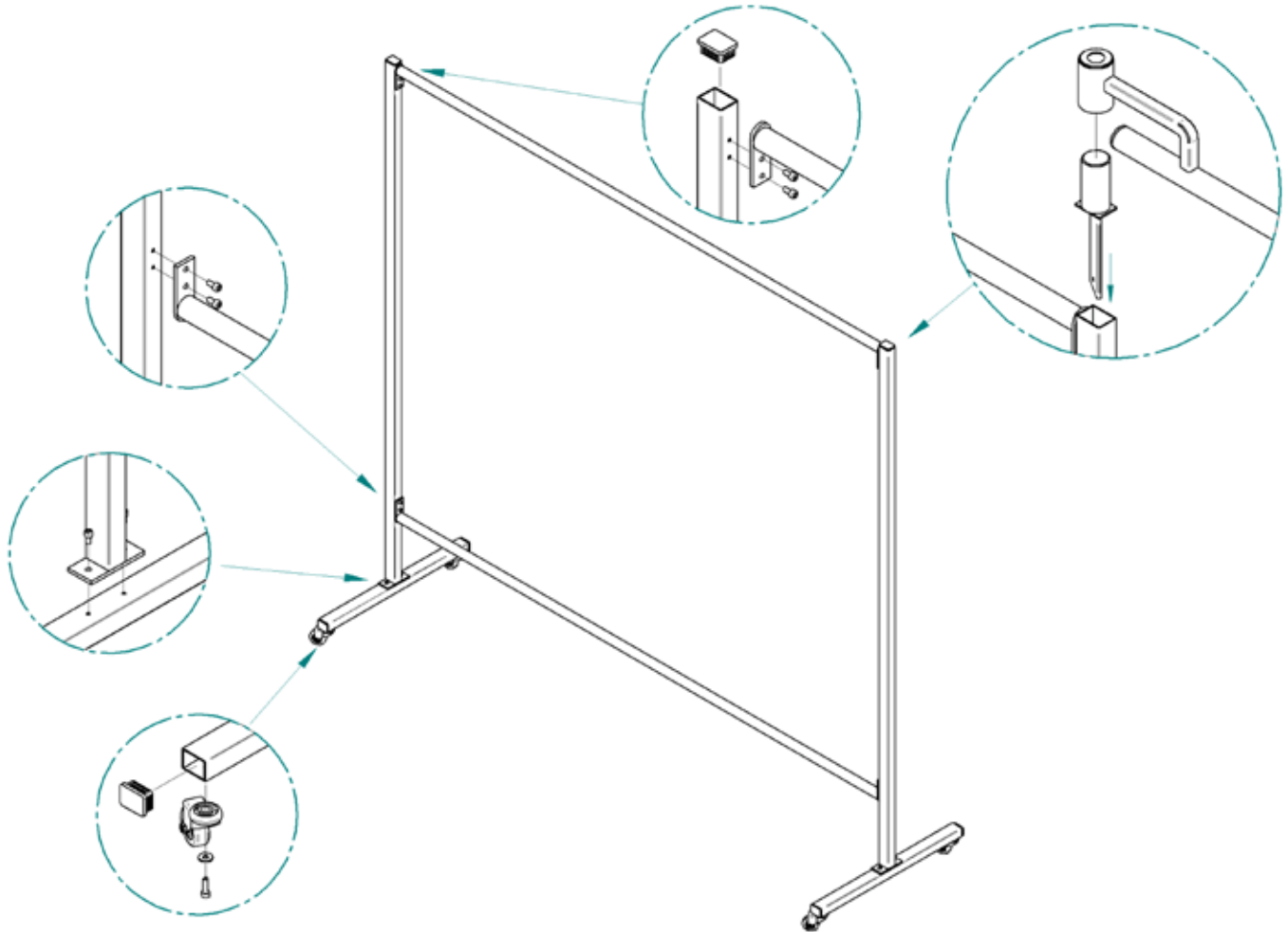
M6x12	M6x20	Ø18x6,5	no. 5
			
12 x	4 x	4 x	1 x

Set fasteners basic screen

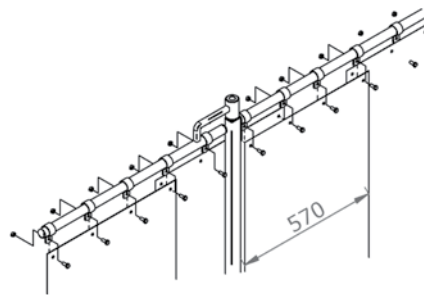
OMNIUM WELDING SCREEN



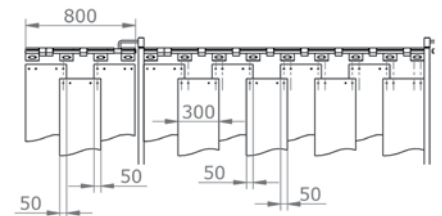
MOUNTING INSTRUCTION OMNIUM WELDING SCREEN



Mounting curtains



Mounting sheet



Mounting strips

Version 001 - Check our website for the latest version.

CEPRO_PFS_Welding screens_Omnium_2EN