

ROBUSTO WELDING SCREEN



COMPOSITION

For steel basic welding screen:
Carbon steel tubes, profiles, powder coated.
Contain no toxic parts.
Contain no inflammable parts.
Contain no electrical parts.

USE AND HANDLING

Coating and tread surface castors will be damaged by open fire or intensive heat. There is a possibility that the screen will stuck by rough, unequal floor conditions. Oil or grease pollution do not have negative effects on the screens condition.

MAINTENANCE AND SAFETY

- a. Bolts must be periodic checked at free assembly.
- b. Castors must be checked on contamination to avoid malfunction.
- c. It is not safe to step on the screen for mobile purposes.
- d. Beams are only applicable for use of pvc strips, curtains, sheets or blankets, not for heavy weight products which overload the profile and castors.
- e. It is not recommended for hoisting operations.
- e. Arm is only suitable for use of strip or curtain separation It is not recommended for hoisting operations.

TECHNICAL SPECIFICATION

Type of welding screen	: heavy duty, mobile screen
Total weight, basic screen	: 24 kgs.
Maximum static load beam	: 500 N
Maximum dynamic peak load beam	: 700 N
Range	: free moveable, 360°
Overall size height	: 2100 mm
Functional width	: 2160 mm
Fasteners	: Metric
Castor	: Ø75 mm
Castor	: 2 with break, 2 without brake
Castor	: maximum load 60 kgs
Castor	: Range 360°
Operation	: by hand
Coating	: powder coated in grey RAL7035
Materials	: steel tube and profiles
Application	: for internal use

ROBUSTO WELDING SCREEN



FEATURES

Made from solid welded carbon steel tube and profiles. Screen is free moveable in any direction, castors can be turned for 360°. To apply the brake option on two castors, screen can be fixed at one position.

Poles are provided with a hinge part on top at both sides to apply a swivel arm, to extent the separation at one or both sides.

Screen will be supplied in loose parts and must be fixed with included metric fasteners by basic tools.

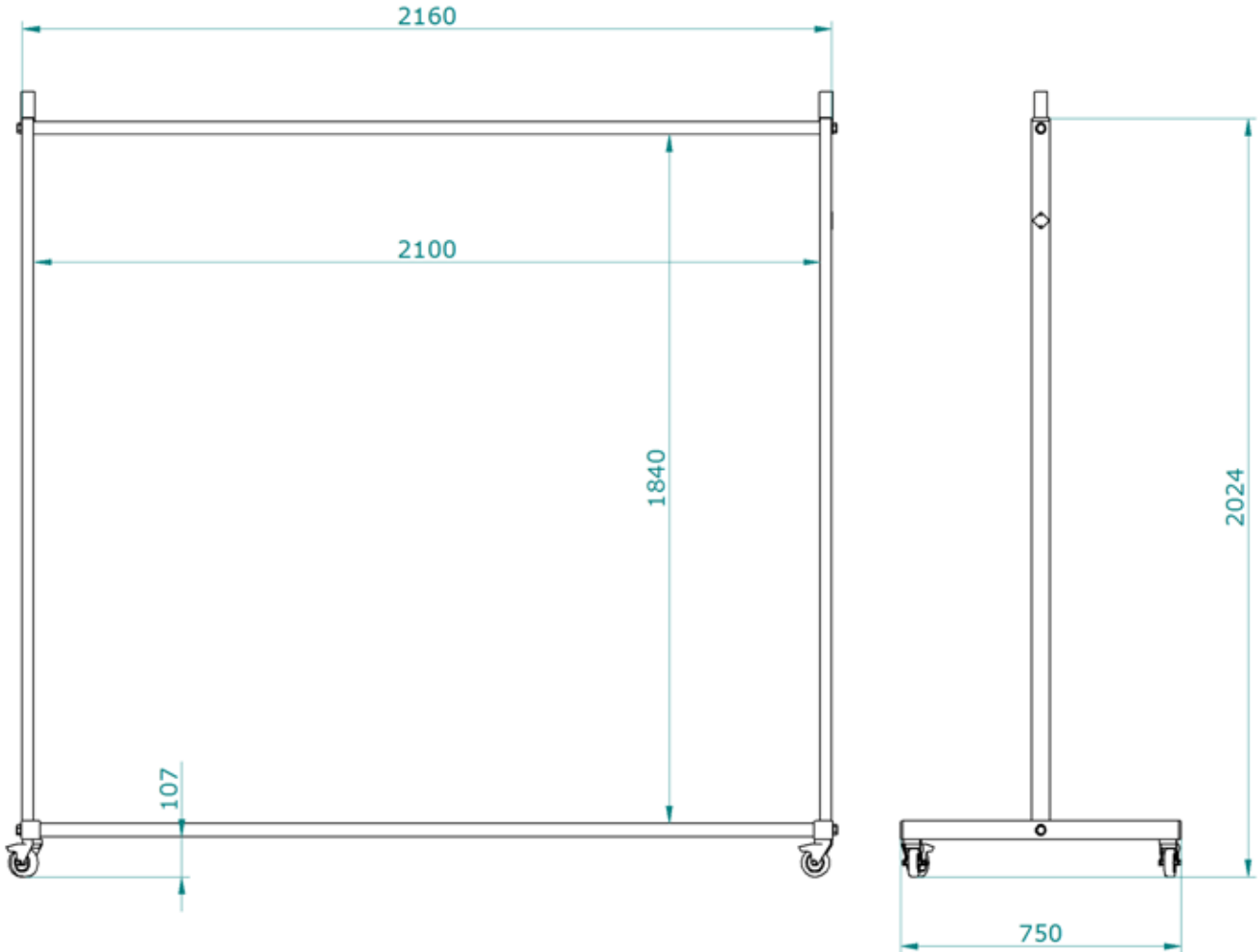
DESIGN

Distance between floor level and upper beam is 202 cms, total width 216 cms. To obtain a stable construction, both foot profiles do have a length of 75 cms.

ROBUSTO WELDING SCREEN



DIMENSIONS ROBUSTO SINGLE SCREEN



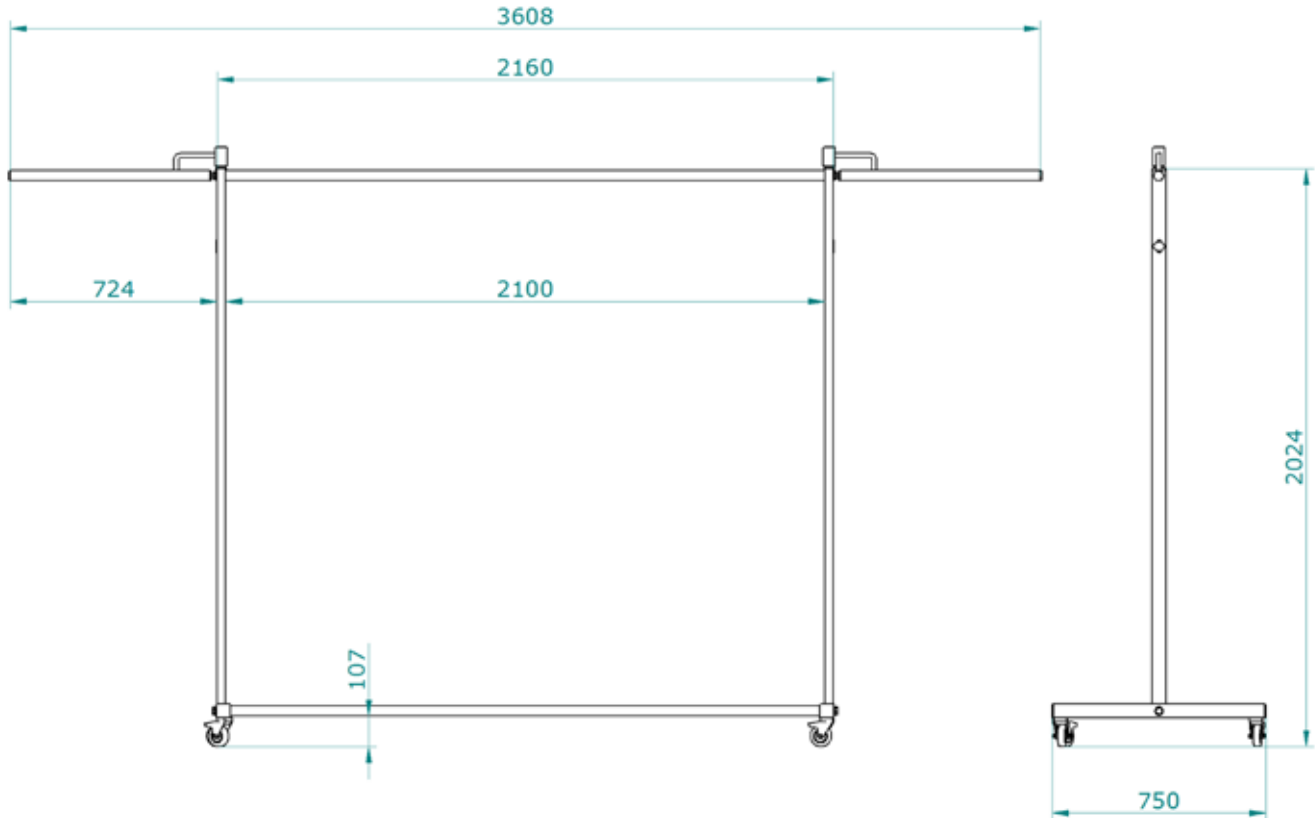
Version 001 - Check our website for the latest version.

CEPRO_PFS_Welding screens_Robusto_2EN

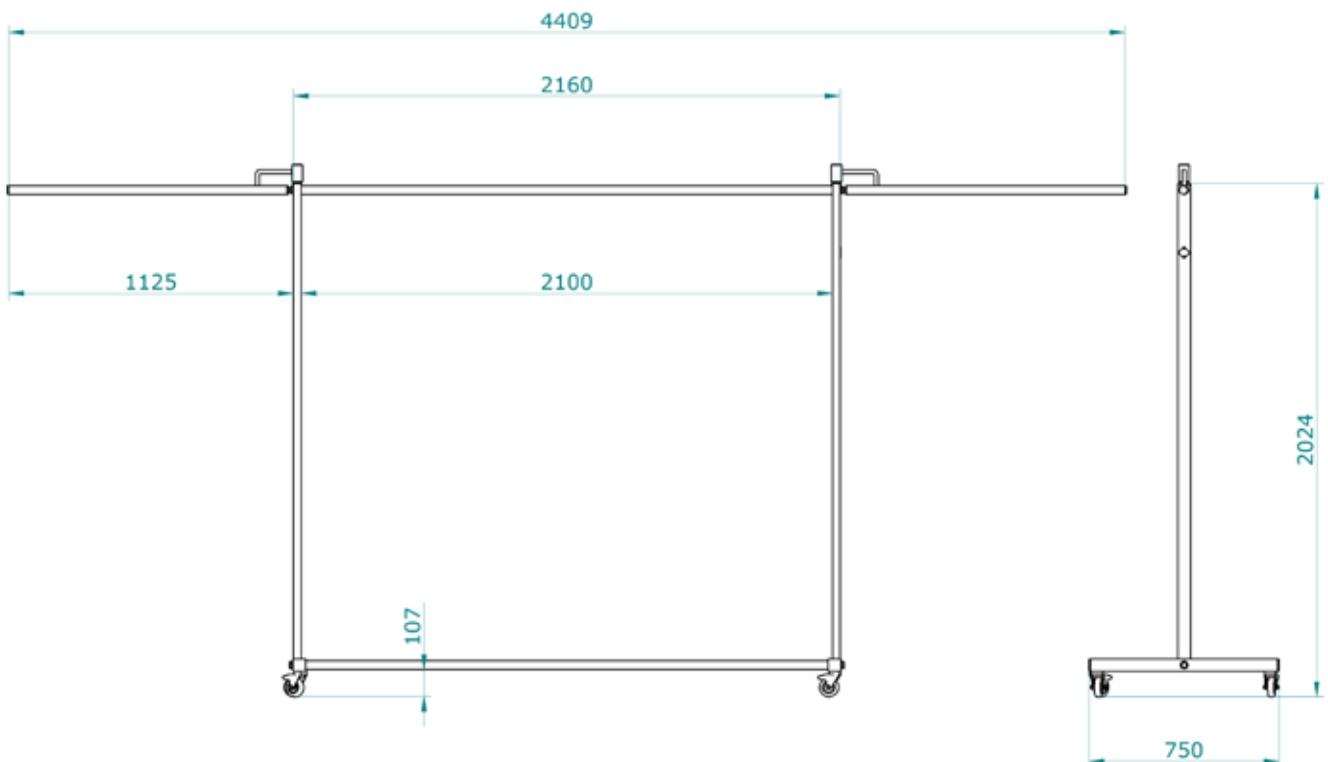
ROBUSTO WELDING SCREEN



DIMENSIONS ROBUSTO TRIPTYCH SCREEN SWIVEL ARMS 70 CM



DIMENSIONS ROBUSTO TRIPTYCH SCREEN SWIVEL ARMS 110 CM



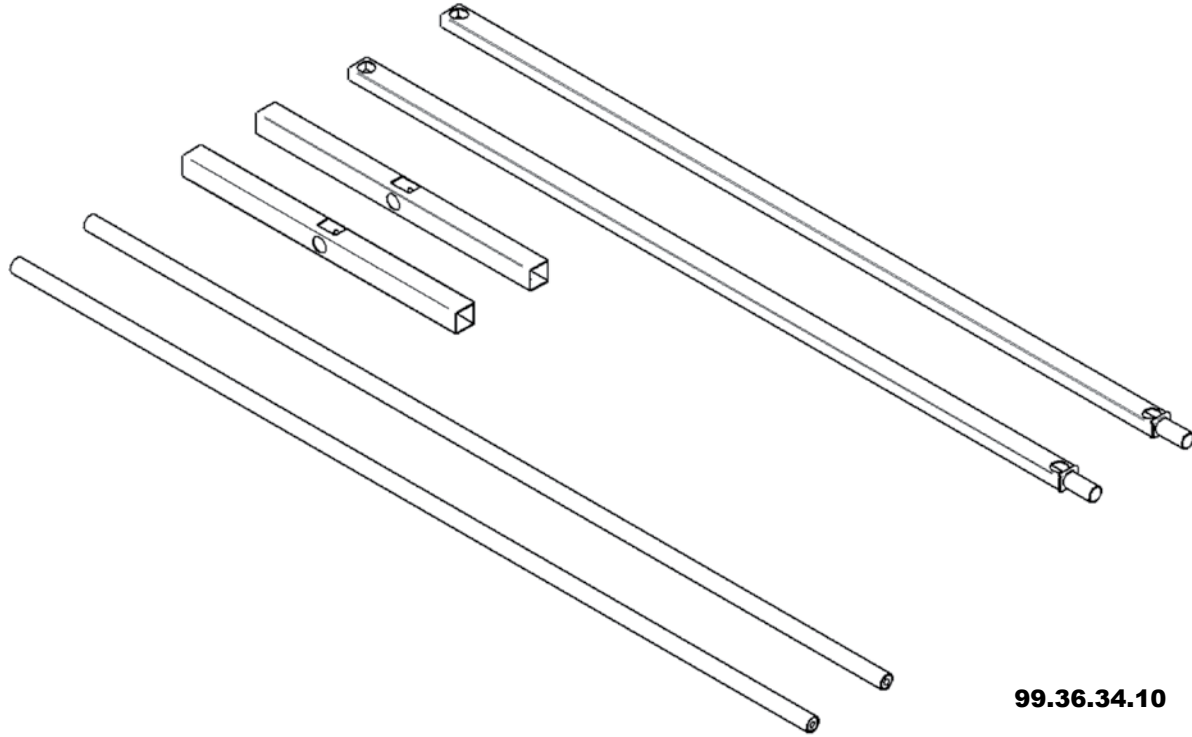
Version 001 - Check our website for the latest version.

CEPRO_PFS_Welding screens_Robusto_2EN

ROBUSTO WELDING SCREEN

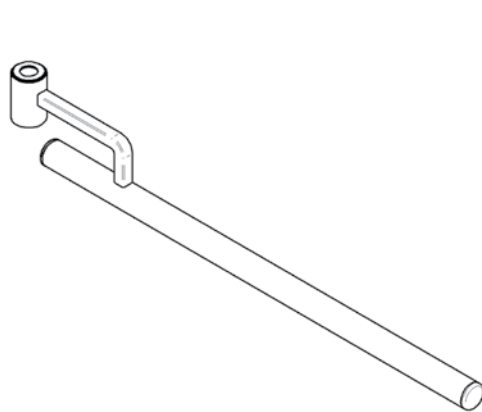


PART LIST - BASIC PARTS ROBUSTO WELDING SCREEN

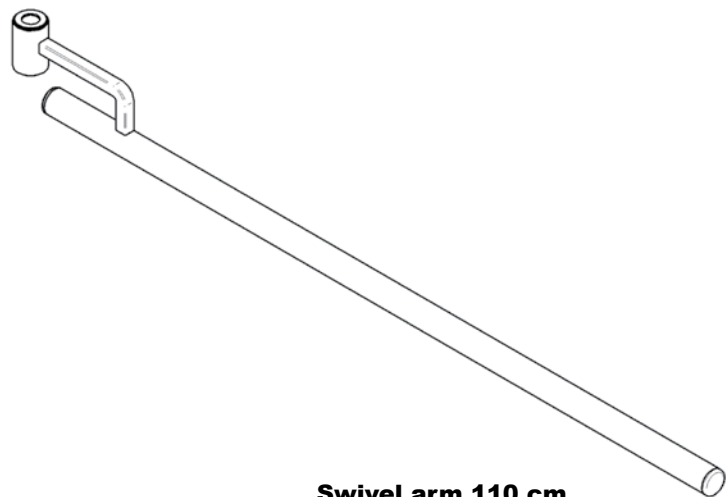


99.36.34.10

PART LIST - SWIVEL ARMS ROBUSTO WELDING SCREEN



Swivel arm 70 cm
30.01.32.07



Swivel arm 110 cm
30.01.32.11





Version 001 - Check our website for the latest version.

CEPRO_PFS_Welding screens_Robusto_2EN

ROBUSTO WELDING SCREEN



PART LIST ACCESSOIRES ROBUSTO WELDING SCREEN





50x50	Ø35	75 mm	75 mm
			
4x	2x	2x	2x

Cap end PVC
99.30.05.3202

Cap end PVC
99.30.05.3201

Castor without break
30.04.32.00

Castor with break
30.04.32.01

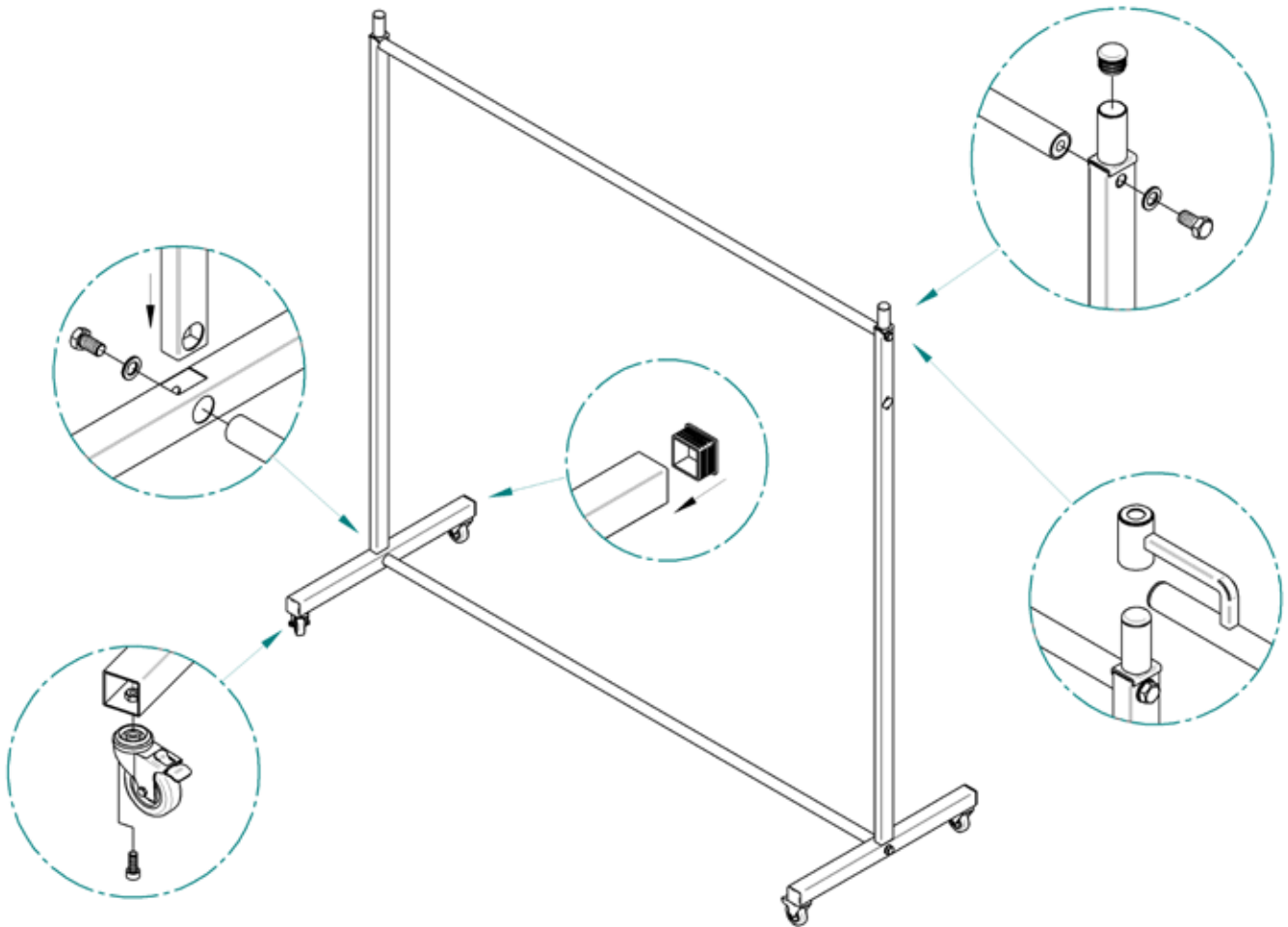
M16x30	M16	M10x20	M10
			
4x	4x	4x	4x

Set fasteners basic screen

ROBUSTO WELDING SCREEN



MOUNTING INSTRUCTION ROBUSTO WELDING SCREEN



Version 001 - Check our website for the latest version.

CEPRO_PFS_Welding screens_Robusto_2EN