

## ROBUSTO WELDING SCREEN



### COMPOSITION

For steel basic welding screen:  
Carbon steel tubes, profiles, powder coated.  
Contain no toxic parts.  
Contain no inflammable parts.  
Contain no electrical parts.

### USE AND HANDLING

Coating and tread surface castors will be damaged by open fire or intensive heat. There is a possibility that the screen will stuck by rough, unequal floor conditions. Oil or grease pollution do not have negative effects on the screens condition.

### MAINTENANCE AND SAFETY

- a. Bolts must be periodic checked at free assembly.
- b. Castors must be checked on contamination to avoid malfunction.
- c. It is not safe to step on the screen for mobile purposes.
- d. Beams are only applicable for use of pvc strips, curtains, sheets or blankets, not for heavy weight products which overload the profile and castors.
- e. It is not recommended for hoisting operations.
- e. Arm is only suitable for use of strip or curtain separation It is not recommended for hoisting operations.

### TECHNICAL SPECIFICATION

Type of welding screen	: heavy duty, mobile screen
Total weight, basic screen	: 24 kgs.
Maximum static load beam	: 500 N
Maximum dynamic peak load beam	: 700 N
Range	: free moveable, 360°
Overall size height	: 2100 mm
Functional width	: 2160 mm
Fasteners	: Metric
Castor	: Ø75 mm
Castor	: 2 with break, 2 without brake
Castor	: maximum load 60 kgs
Castor	: Range 360°
Operation	: by hand
Coating	: powder coated in grey RAL7035
Materials	: steel tube and profiles
Application	: for internal use

## ROBUSTO WELDING SCREEN



### FEATURES

Made from solid welded carbon steel tube and profiles. Screen is free moveable in any direction, castors can be turned for 360°. To apply the brake option on two castors, screen can be fixed at one position.

Poles are provided with a hinge part on top at both sides to apply a swivel arm, to extent the separation at one or both sides.

Screen will be supplied in loose parts and must be fixed with included metric fasteners by basic tools.

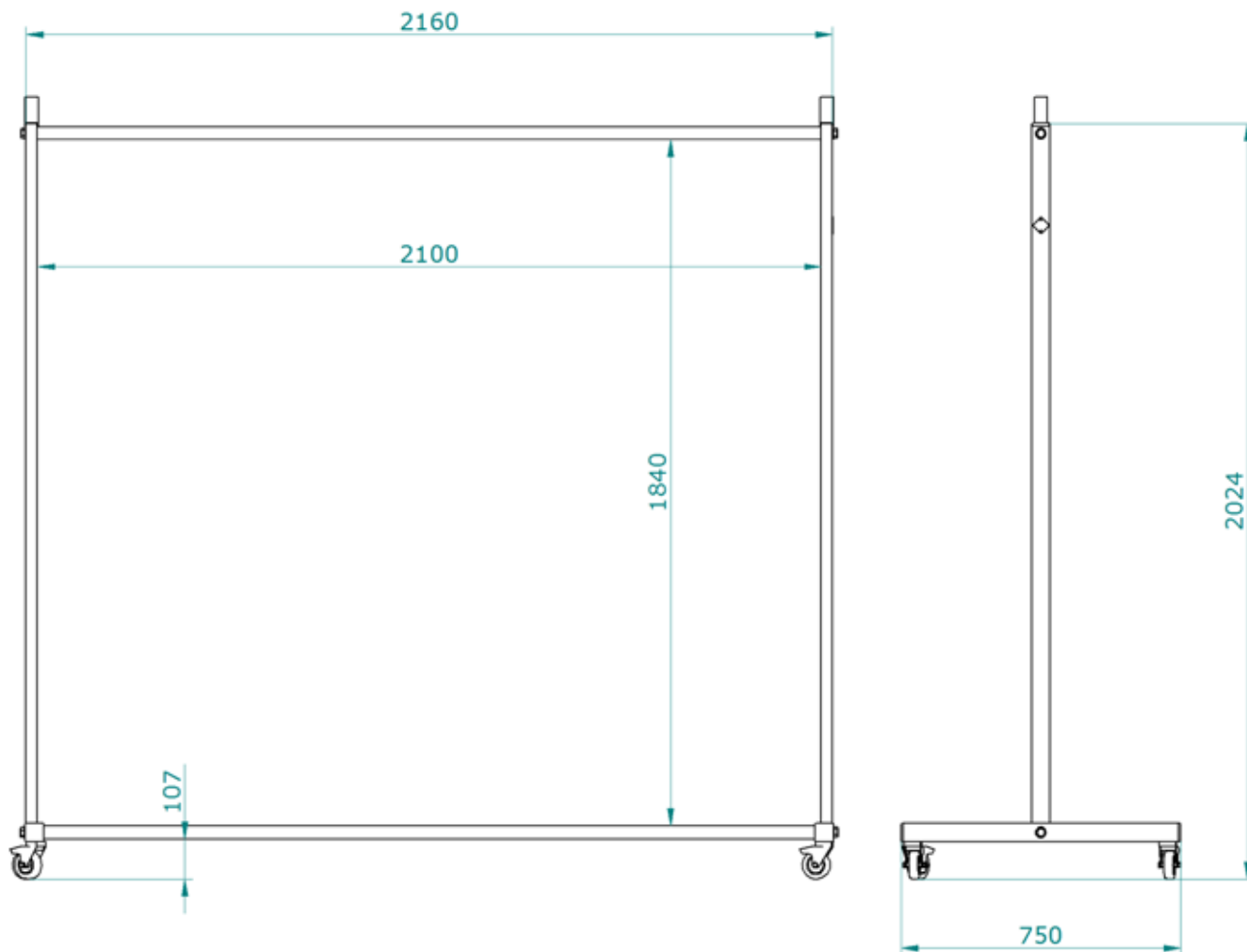
### DESIGN

Distance between floor level and upper beam is 202 cms, total width 216 cms. To obtain a stable construction, both foot profiles do have a length of 75 cms.

## ROBUSTO WELDING SCREEN



### DIMENSIONS ROBUSTO SINGLE SCREEN



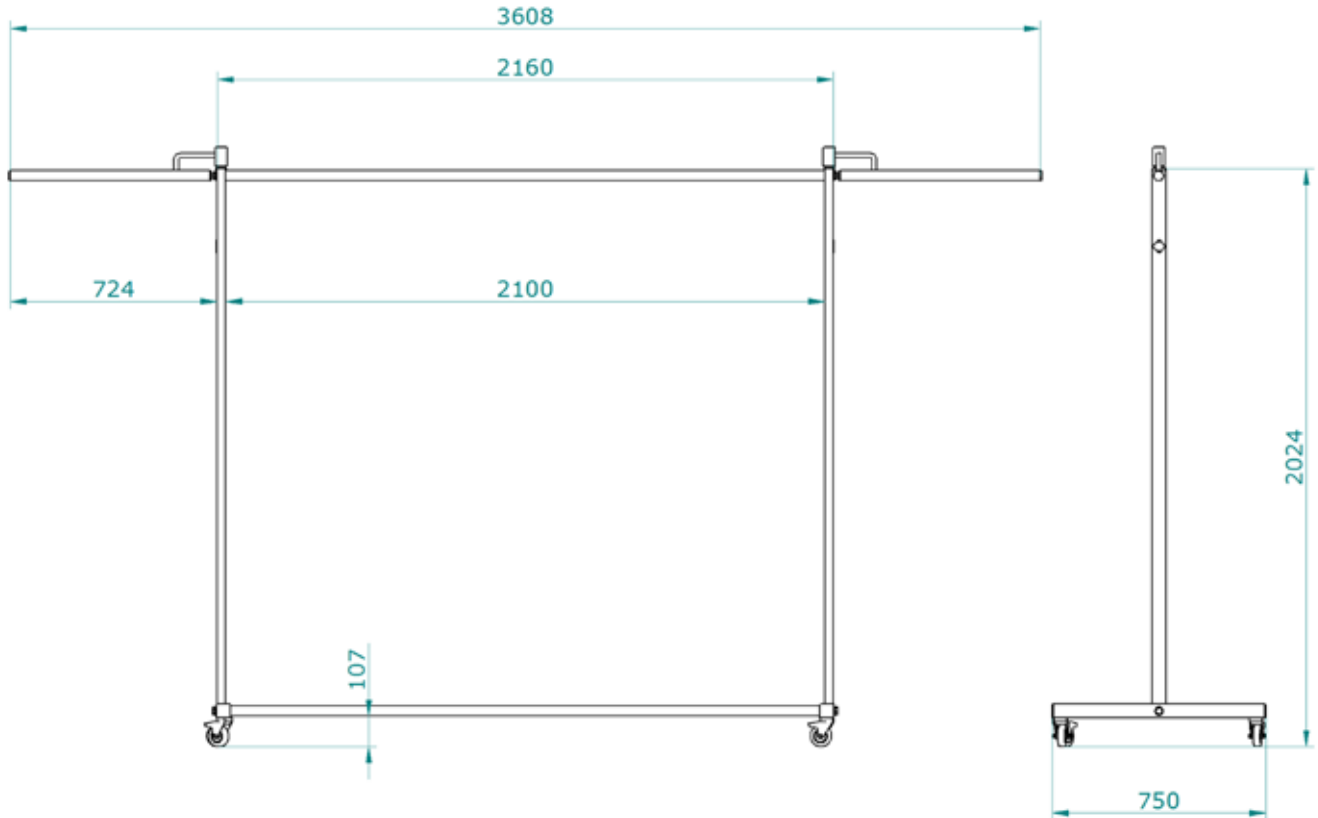
Version 001 - Check our website for the latest version.

CEPRO\_PFS\_Welding screens\_Robusto\_2EN

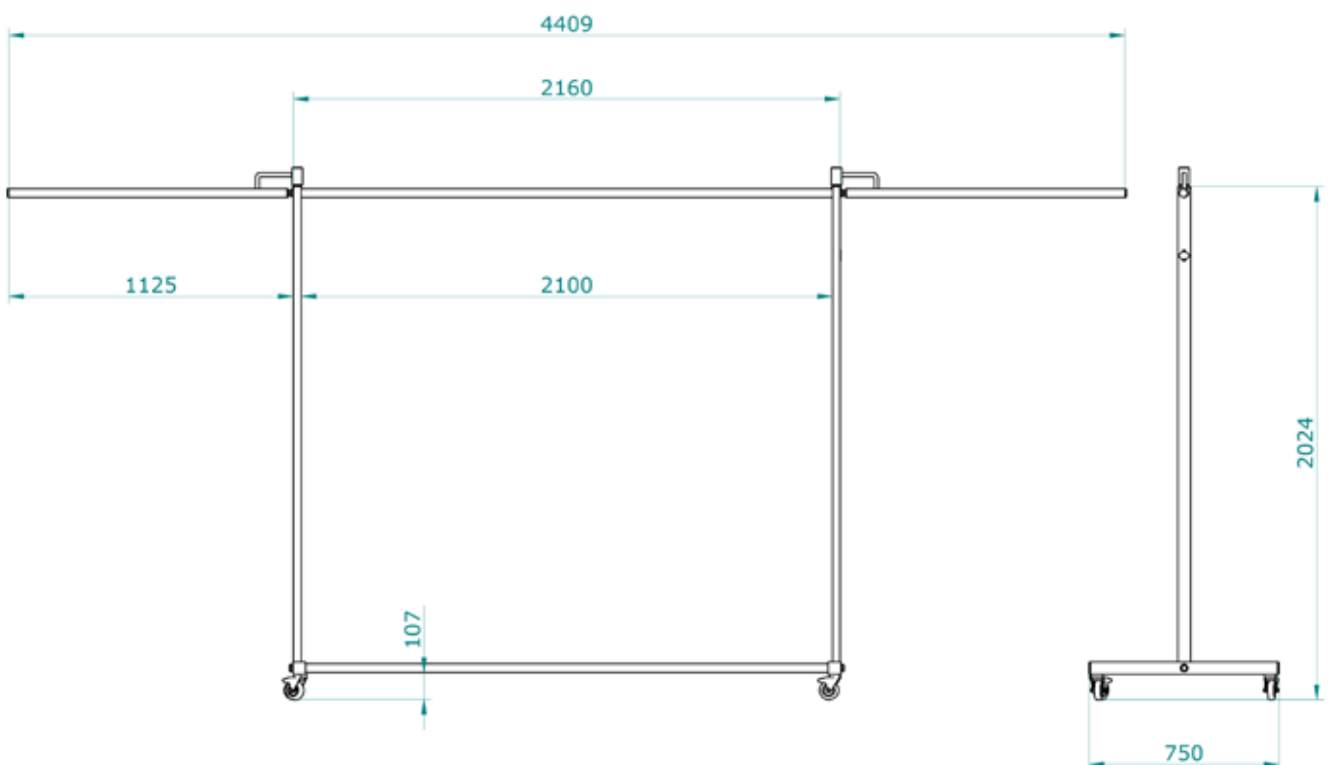
## ROBUSTO WELDING SCREEN



### DIMENSIONS ROBUSTO TRIPTYCH SCREEN SWIVEL ARMS 70 CM



### DIMENSIONS ROBUSTO TRIPTYCH SCREEN SWIVEL ARMS 110 CM



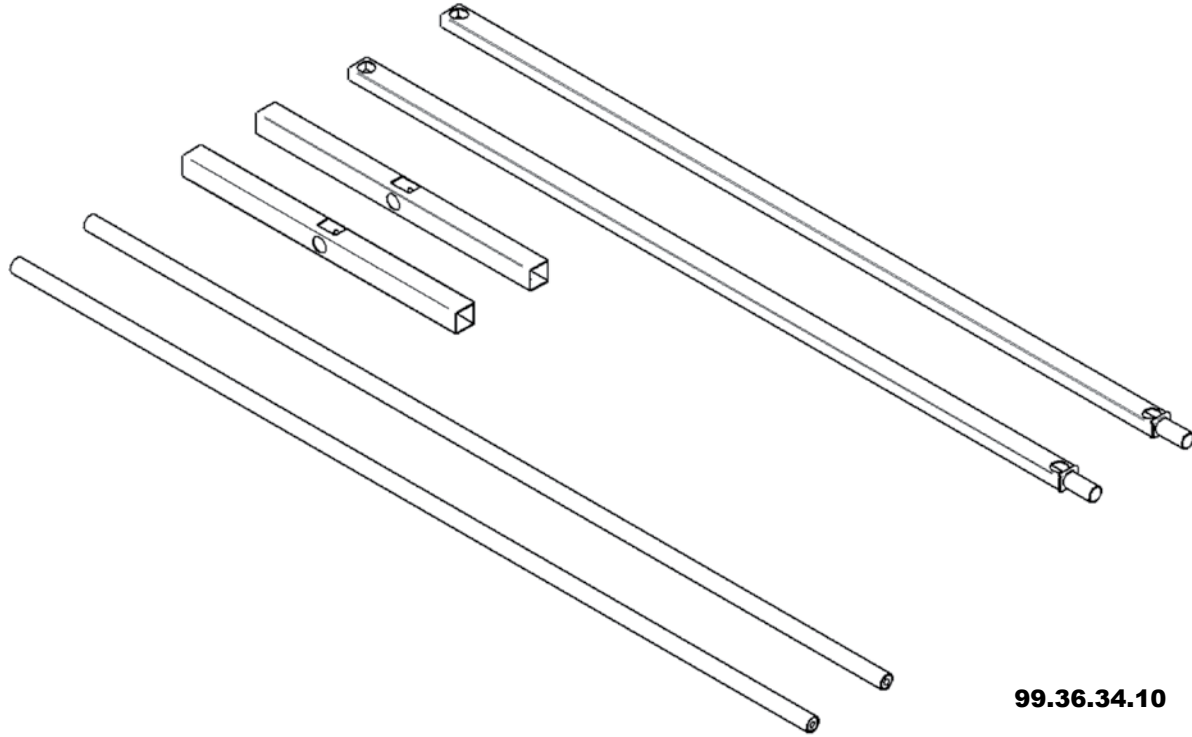
Version 001 - Check our website for the latest version.

CEPRO\_PFS\_Welding screens\_Robusto\_2EN

## ROBUSTO WELDING SCREEN

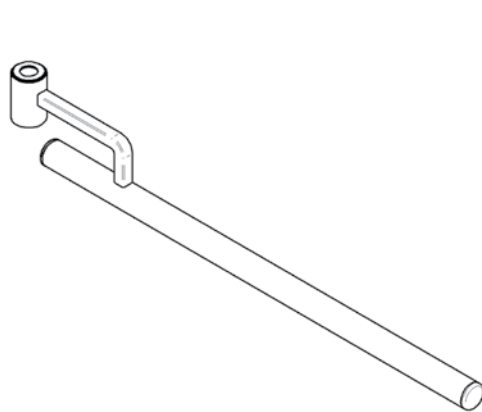


### PART LIST - BASIC PARTS ROBUSTO WELDING SCREEN

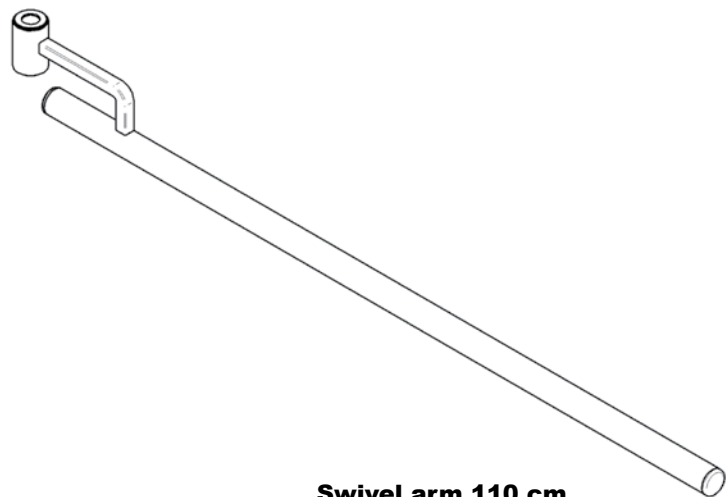


**99.36.34.10**

### PART LIST - SWIVEL ARMS ROBUSTO WELDING SCREEN



**Swivel arm 70 cm**  
**30.01.32.07**



**Swivel arm 110 cm**  
**30.01.32.11**





Version 001 - Check our website for the latest version.

CEPRO\_PFS\_Welding screens\_Robusto\_2EN

## ROBUSTO WELDING SCREEN



### PART LIST ACCESSOIRES ROBUSTO WELDING SCREEN





50x50	Ø35	75 mm	75 mm
			
4x	2x	2x	2x

**Cap end PVC**  
99.30.05.3202

**Cap end PVC**  
99.30.05.3201

**Castor without break**  
30.04.32.00

**Castor with break**  
30.04.32.01

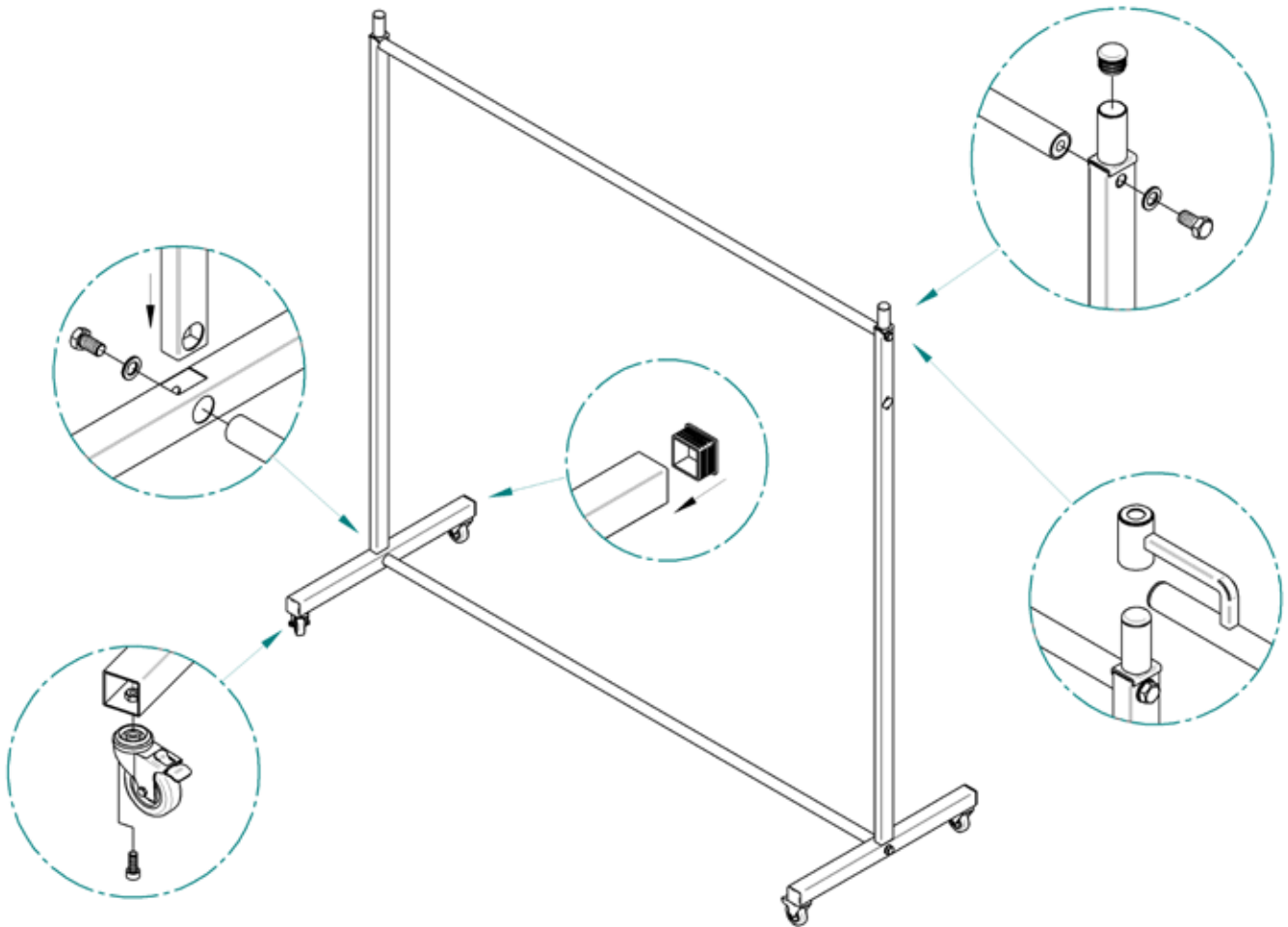
M16x30	M16	M10x20	M10
			
4x	4x	4x	4x

**Set fasteners basic screen**

## ROBUSTO WELDING SCREEN



### MOUNTING INSTRUCTION ROBUSTO WELDING SCREEN



Version 001 - Check our website for the latest version.

CEPRO\_PFS\_Welding screens\_Robusto\_2EN